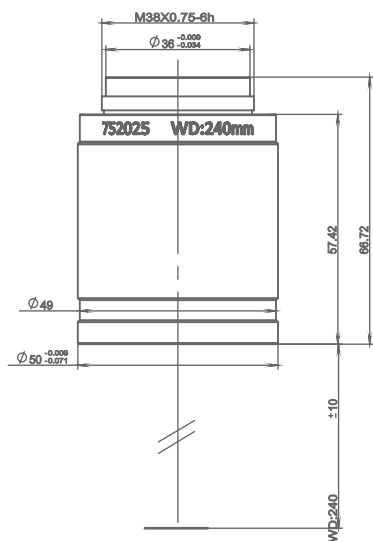
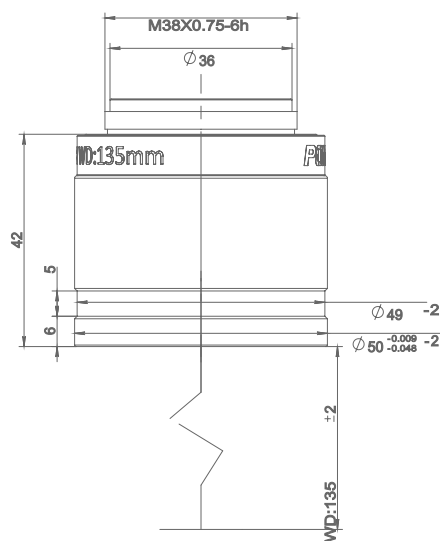


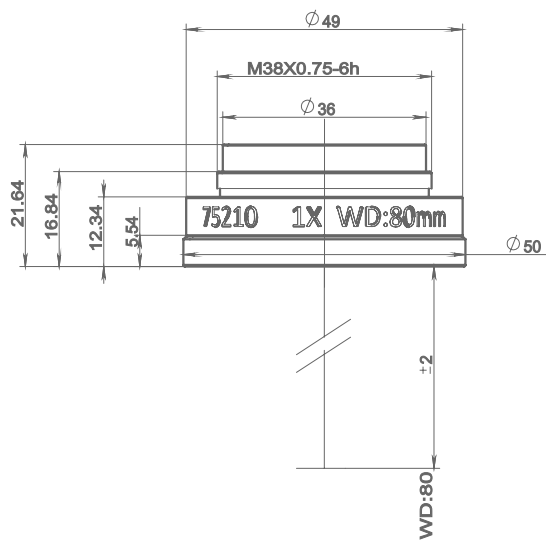
VP-75025 (0.25X)



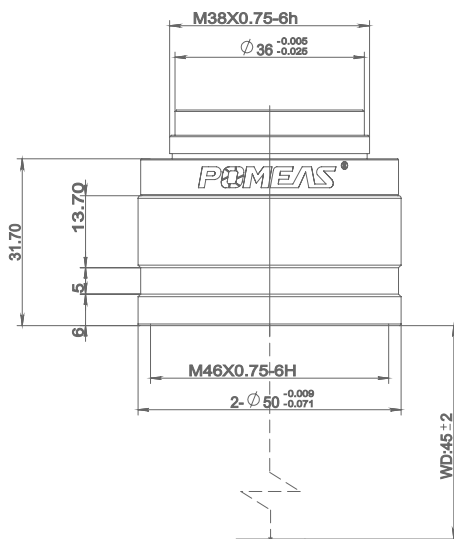
VP-75205 (0.5X)



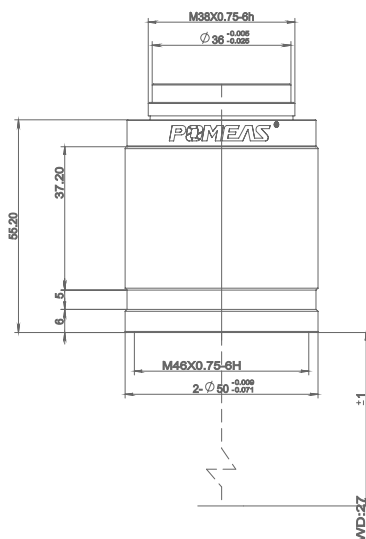
VP-75210 (1X)



VP-75215 (1.5X)



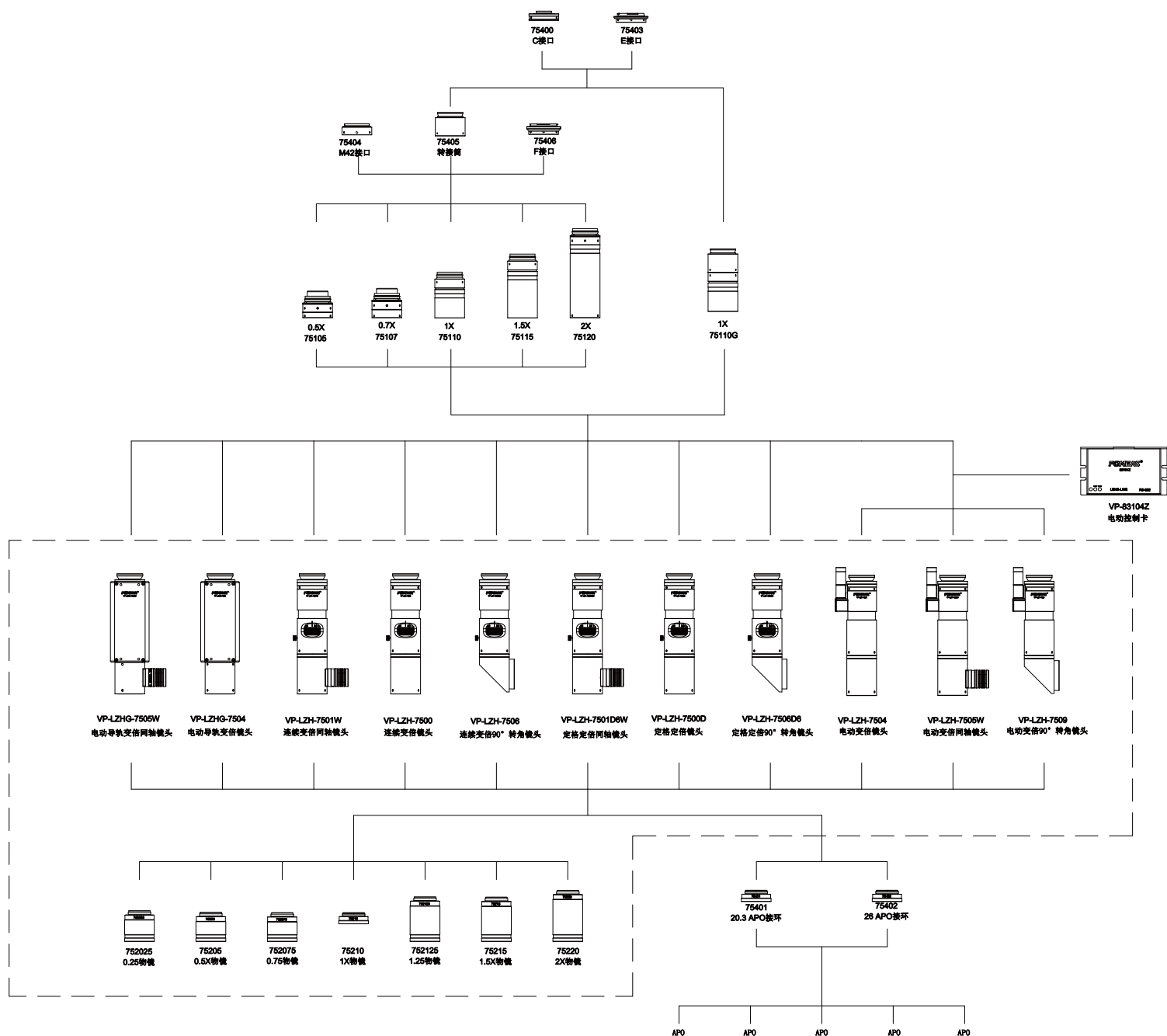
VP-75220 (2X)



单位 mm	比例 1:1	型号	
视角	重量 0.518KG	名称	物镜
		日期	2019/11/5
			POMEAS



4K变倍镜头选型图



4K变倍镜头视场范围对照表

物镜倍率	WD(mm)	NA		物方分辨率 (μm)		镜管倍率	0.7X		1X		1.5X		2X		
		最低倍	最高倍	最低倍	最高倍		最低倍	最高倍	最低倍	最高倍	最低倍	最高倍	最低倍	最高倍	
0.25X	240	0.0083	0.03	40.67	11.18	综合放大倍率	0.119X	0.857X	0.17X	1.25X	0.255X	1.875X	0.34X	2.5X	
						景深(mm)	40.74	1.52	28.52	1.07	19.01	0.71	14.26	0.53	
						视野大小(D+H+V)(mm)	1/2"	67.2×53.8×40.3	9.1×7.3×5.5	47.1×37.6×28.2	6.4×5.1×3.8	31.4×25.1×18.8	4.3×3.4×2.6	23.5×18.8×14.1	3.2×2.6×1.9
							2/3"	92.4×73.9×55.5	12.6×10.1×7.5	64.7×51.8×38.8	8.8×7.0×5.3	43.1×34.5×25.9	5.9×4.7×3.5	32.4×25.9×19.4	4.4×3.5×2.6
							1"	-	-	94.1×75.3×56.5	12.8×10.2×7.7	62.7×50.2×37.6	8.5×6.8×5.1	47.1×37.6×28.2	6.4×5.1×3.8
							4/3"	-	-	-	-	84.7×67.8×50.8	11.5×9.2×6.9	63.5×50.8×38.1	8.6×6.9×5.2
							32mm	-	-	-	-	-	-	94.1×75.3×56.5	12.8×10.2×7.7
32mm	-	-	-	-	-	-	-	-							
0.5X	135	0.0165	0.06	20.33	5.59	综合放大倍率	0.238X	1.75X	0.34X	2.5X	0.51X	3.75X	0.68X	5X	
						景深(mm)	10.19	0.38	7.13	0.27	4.75	0.18	3.57	0.13	
						视野大小(D+H+V)(mm)	1/2"	33.6×26.9×20.2	4.6×3.7×2.7	23.5×18.8×14.1	3.2×2.6×1.9	15.7×12.5×9.4	2.1×1.7×1.3	11.8×9.4×7.1	1.6×1.3×1.0
							2/3"	46.2×37.0×27.7	6.3×5.0×3.8	32.4×25.9×19.4	4.4×3.5×2.6	21.6×17.3×12.9	2.9×2.3×1.8	16.2×12.9×9.7	2.2×1.8×1.3
							1"	-	-	47.1×37.6×28.2	6.4×5.1×3.8	31.4×25.1×18.8	4.3×3.4×2.6	23.5×18.8×14.1	3.2×2.6×1.9
							4/3"	-	-	-	-	42.4×33.9×25.4	5.8×4.6×3.5	31.8×25.4×19.1	4.3×3.5×2.6
							32mm	-	-	-	-	-	-	47.1×37.6×28.2	6.4×5.1×3.8
32mm	-	-	-	-	-	-	-	-							
1X	80	0.033	0.12	10.17	2.80	综合放大倍率	0.476X	3.5X	0.68X	5X	1.02X	7.5X	1.36X	10X	
						景深(mm)	2.55	0.10	1.78	0.07	1.19	0.04	0.89	0.03	
						视野大小(D+H+V)(mm)	1/2"	16.8×13.4×10.1	2.3×1.8×1.4	11.8×9.4×7.1	1.6×1.3×1.0	7.8×6.3×4.7	1.1×0.9×0.6	5.9×4.7×3.5	0.8×0.6×0.5
							2/3"	23.1×18.5×13.9	3.1×2.5×1.9	16.2×12.9×9.7	2.2×1.8×1.3	10.8×8.6×6.5	1.5×1.2×0.9	8.1×6.5×4.9	1.1×0.9×0.7
							1"	-	-	23.5×18.8×14.1	3.2×2.6×1.9	15.7×12.5×9.4	2.1×1.7×1.3	11.8×9.4×7.1	1.6×1.3×1.0
							4/3"	-	-	-	-	21.2×16.9×12.7	2.9×2.3×1.7	15.9×12.7×9.5	2.2×1.7×1.3
							32mm	-	-	-	-	-	-	23.5×18.8×14.1	3.2×2.6×1.9
32mm	-	-	-	-	-	-	-	-							
1.5X	45	0.0495	0.18	6.78	1.86	综合放大倍率	0.714X	5.25X	1.02X	7.5X	1.53X	11.25X	2.04X	15X	
						景深(mm)	1.13	0.04	0.79	0.03	0.53	0.02	0.40	0.01	
						视野大小(D+H+V)(mm)	1/2"	11.2×9.0×6.7	1.5×1.2×0.9	7.8×6.3×4.7	1.1×0.9×0.6	5.2×4.2×3.1	0.7×0.6×0.4	3.9×3.1×2.4	0.5×0.4×0.3
							2/3"	15.4×12.3×9.2	2.1×1.7×1.3	10.8×8.6×6.5	1.5×1.2×0.9	7.2×5.8×4.3	1.0×0.8×0.6	5.4×4.3×3.2	0.7×0.6×0.4
							1"	-	-	15.7×12.5×9.4	2.1×1.7×1.3	10.5×8.4×6.3	1.4×1.1×0.9	7.8×6.3×4.7	1.1×0.9×0.6
							4/3"	-	-	-	-	14.1×11.3×8.5	1.9×1.5×1.2	10.6×8.5×6.4	1.4×1.2×0.9
							32mm	-	-	-	-	-	-	15.7×12.5×9.4	2.1×1.7×1.3
32mm	-	-	-	-	-	-	-	-							
2X	27	0.066	0.24	5.08	1.40	综合放大倍率	0.952X	7X	1.36X	10X	2.04X	15X	2.72X	20X	
						景深(mm)	0.64	0.02	0.45	0.02	0.30	0.01	0.22	0.01	
						视野大小(D+H+V)(mm)	1/2"	8.4×6.7×5.0	1.1×0.9×0.7	5.9×4.7×3.5	0.8×0.6×0.5	3.9×3.1×2.4	0.5×0.4×0.3	2.9×2.4×1.8	0.4×0.3×0.2
							2/3"	11.6×9.2×6.9	1.6×1.3×0.9	8.1×6.5×4.9	1.1×0.9×0.7	5.4×4.3×3.2	0.7×0.6×0.4	4.0×3.2×2.4	0.6×0.4×0.3
							1"	-	-	11.8×9.4×7.1	1.6×1.3×1.0	7.8×6.3×4.7	1.1×0.9×0.6	5.9×4.7×3.5	0.8×0.6×0.5
							4/3"	-	-	-	-	10.6×8.5×6.4	1.4×1.2×0.9	7.9×6.4×4.8	1.1×0.9×0.6
							32mm	-	-	-	-	-	-	11.8×9.4×7.1	1.6×1.3×1.0
32mm	-	-	-	-	-	-	-	-							

